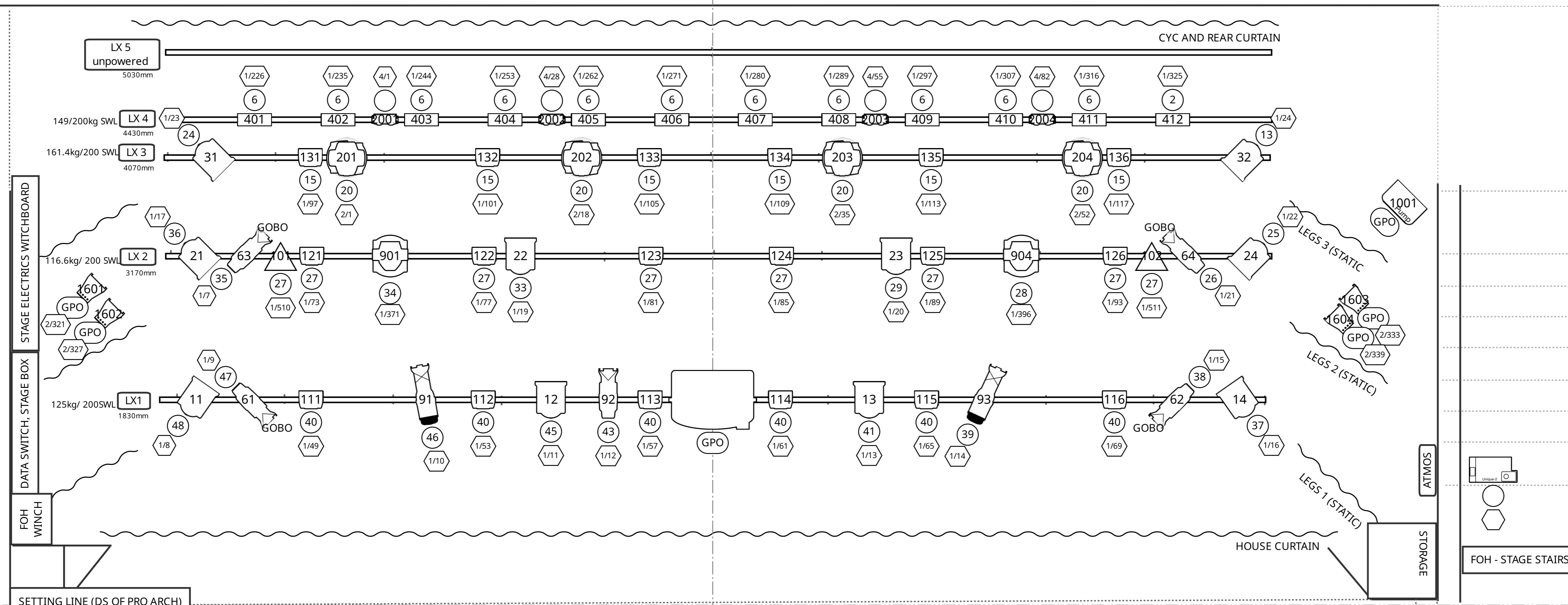




BACK STAGE DOOR

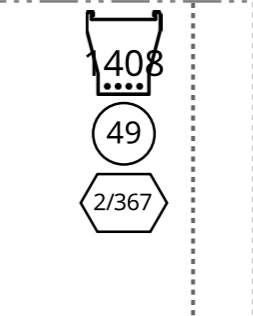
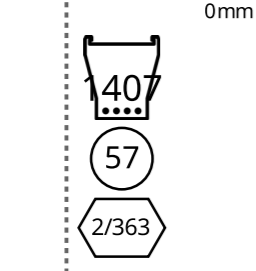
BACK STAGE DOOR



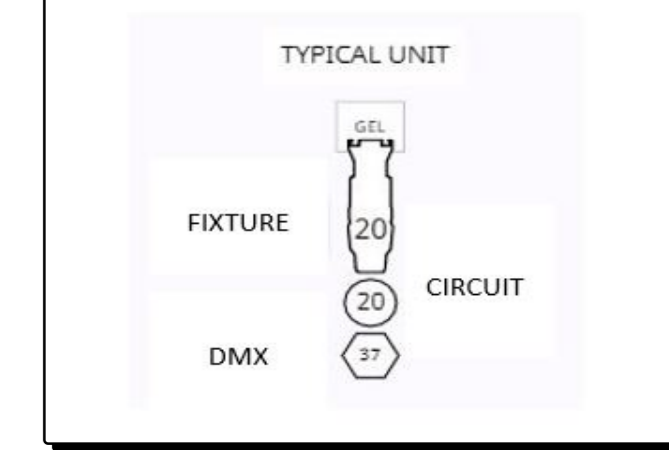
FOH - STAGE STAIRS

FOH - STAGE STAIRS

SETTING LINE (DS OF PRO ARCH)



- SYMBOL KEY**
- Source-4 Zoom 25-50 750w
 - Source-4 Jr 50° 575w
 - Event Lighting Profile 300w
 - Selecon Pacific 23-50° 1Kw
 - Unique 2.1
 - Antari Z1500ii Smoke Machine
 - Selecon Rama 1Kw
 - Martin VDO Atomic Bold 0w
 - Event Lighting 12x8 RGBW
 - Event Lighting 19x15 PAR 150w
 - Event Lighting PAR5x12 RGBWAU 90w
 - Silver Star LED MYCYC2 RGBAL 125w
 - Ayrton Mistral TC 300w
 - Chauvet R3X Wash 660w
 - Light Sky F330 Spot 330w 330w
 - Event Lighting Hybrid 0w
 - Martin ERA 400 Performance CLD 300w
 - EPSON PROJECTOR EB-L1755UNL 15kw
 - 24" DMX Mirror Ball
 - Antari AF3 DMX Fan 110w



NOTE: BOOMS AND TRUSS NOT TO SCALE

TRUSS SITS AT 11700mm RESULTING IN VERY STEEP FOH LX SHOT. THIS CAN BE FLOWN LOWER ON REQUEST

